

SKYFIRE CNC

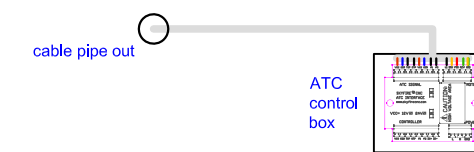
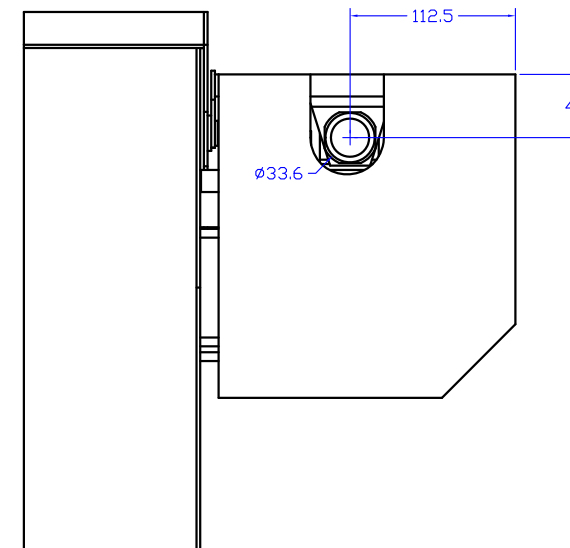
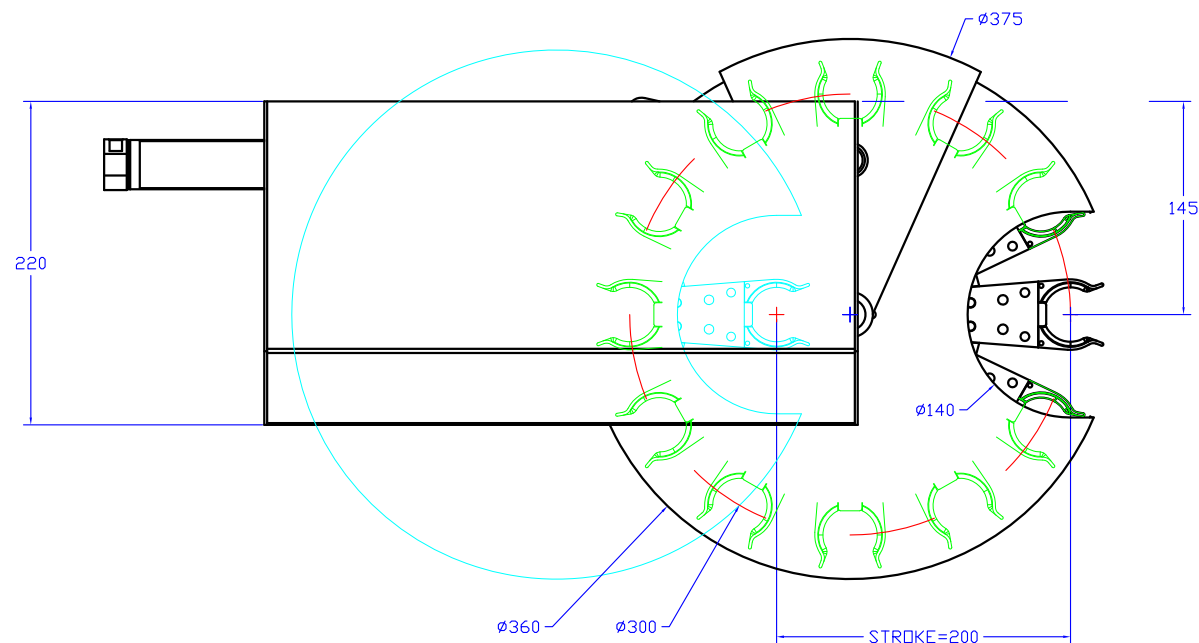
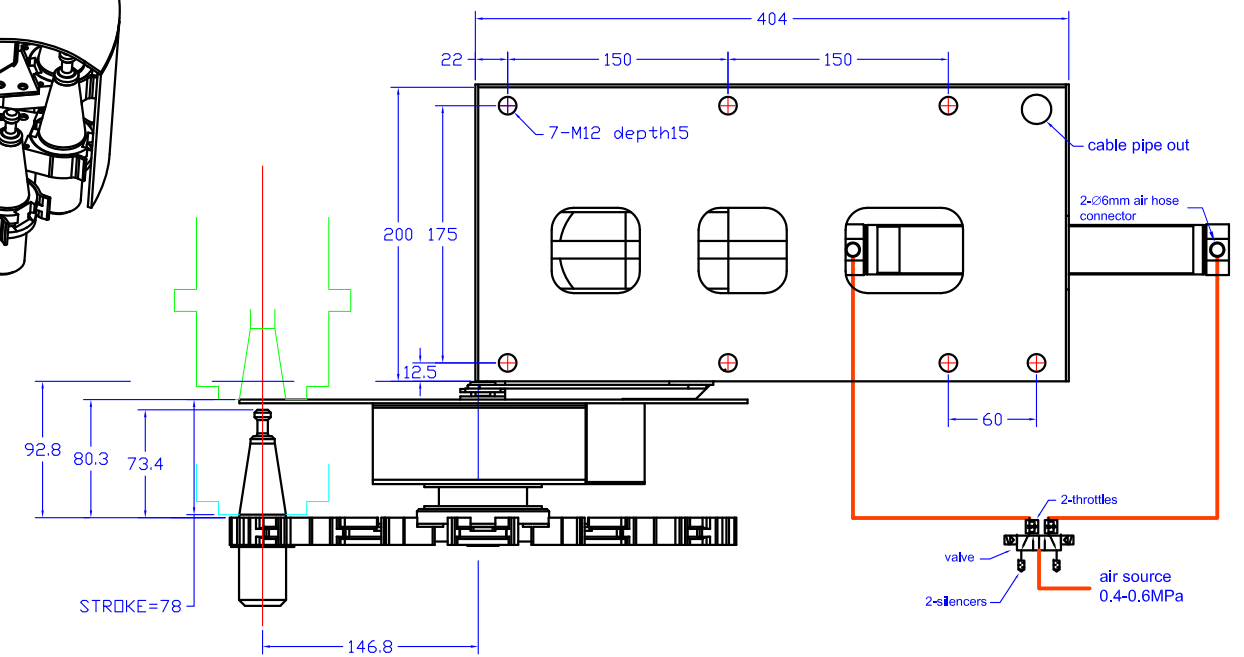
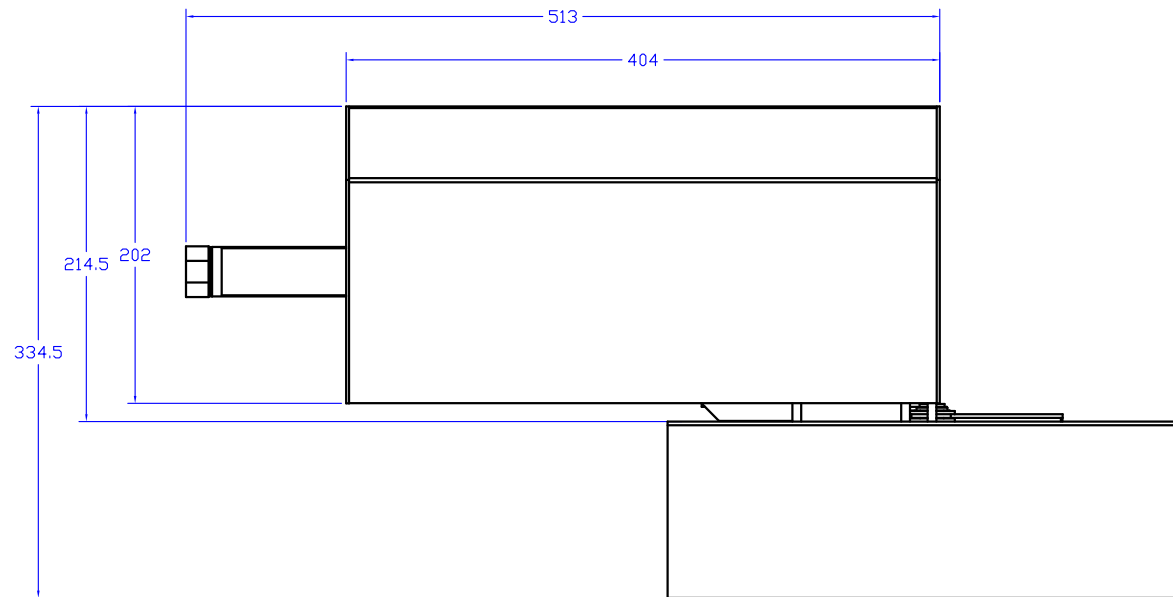
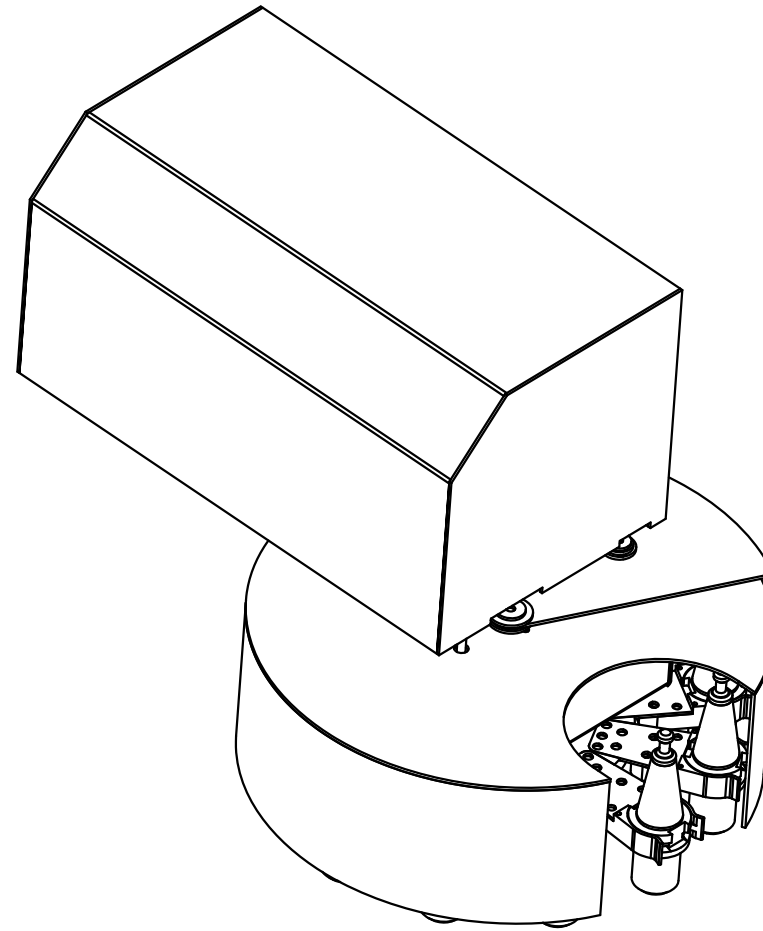
AUTO TOOL CHANGER

DATASHEET

ATC-BT30-12T

Model: ATC-BT30-12T

Max Tool Capacity: 12
 Max Tool Weight: 4.0kg
 Cylinder Stroke: 200mm
 Tool Division Time: 0.6s/50Hz(0.5sec/60Hz)
 Control Protocol: Active LOW
 Control IO Voltage: 12VDC/24VDC optional
 Power Voltage: 220VAC 1phase
 Net Weight: 35kg



VCC: +12V or +24VDC (depend on the PCB mark)
 COM: 0VDC
 TCP: tool changing position signal out (NPN output)
 STP: standby position signal out (NPN output)
 P1: tool counting signal out (NPN output)
 P2: NC (optional TOOL1 HOME signal out)
 DR+: carousel rotate CW signal in (active LOW)
 DR-: carousel rotate CCW signal in (active LOW)

L: power phase line (220VAC 50/60Hz, other voltage please contact us)
 N: power neutral line
 GND: ground protection